

## WHG639BD

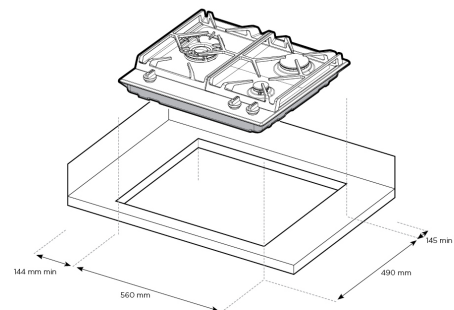
60cm 3 burner black ceramic glass gas cooktop with a high powered, intense 19 MJ/h wok burner, dual valve flame control and cast iron trivets.

### Features

- High powered, intense 19 MJ/h wok burner
- Dual Valve Control
- Durable ceramic glass cooktop
- Cast iron trivets
- Flame Failure Device
- Easy under knob ignition
- Easy clean ceramic surface
- LP Gas Conversion kit included



**60cm gas cooktop**  
WHG638BC



NOTE: Distances shown to adjacent walls/surfaces are for the distance to a combustible surface. If the surface is not combustible the measurement can be smaller than that shown.

**IMPORTANT**  
These dimensions are a guide only. All measurements are in millimetres (mm). For complete installation instructions, refer to the manual provided with product.

### DIMENSIONS

Total product height (mm) - 62, Total product width (mm) - 595, Total product depth (mm) - 530, Cut out width (mm) - 560, Cut out depth (mm) - 490